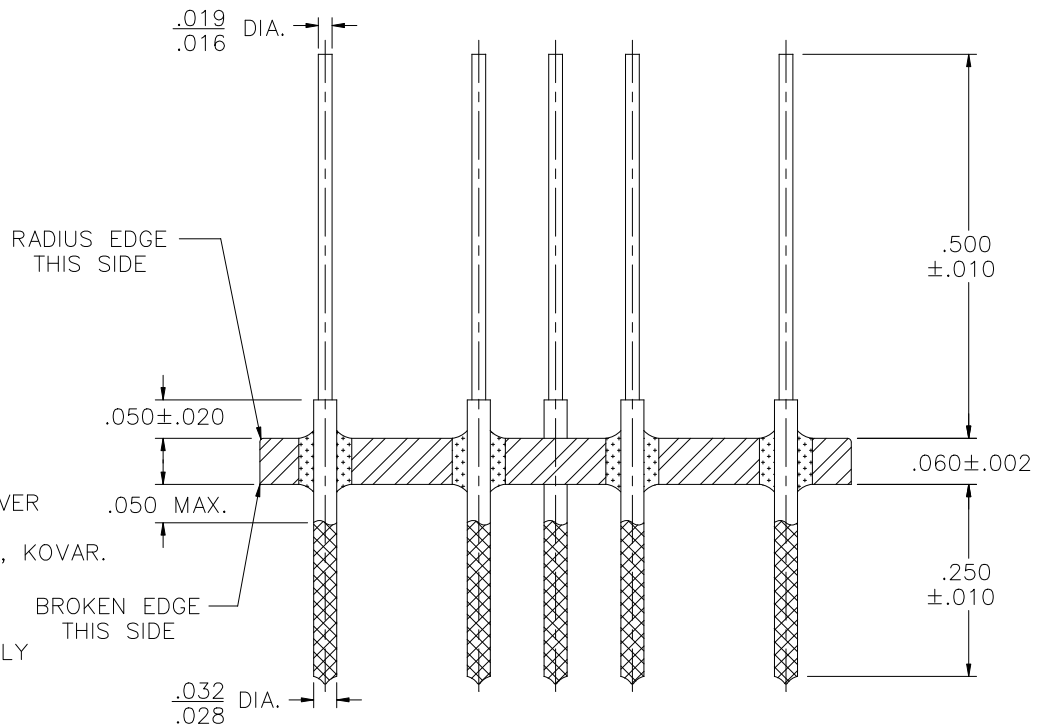
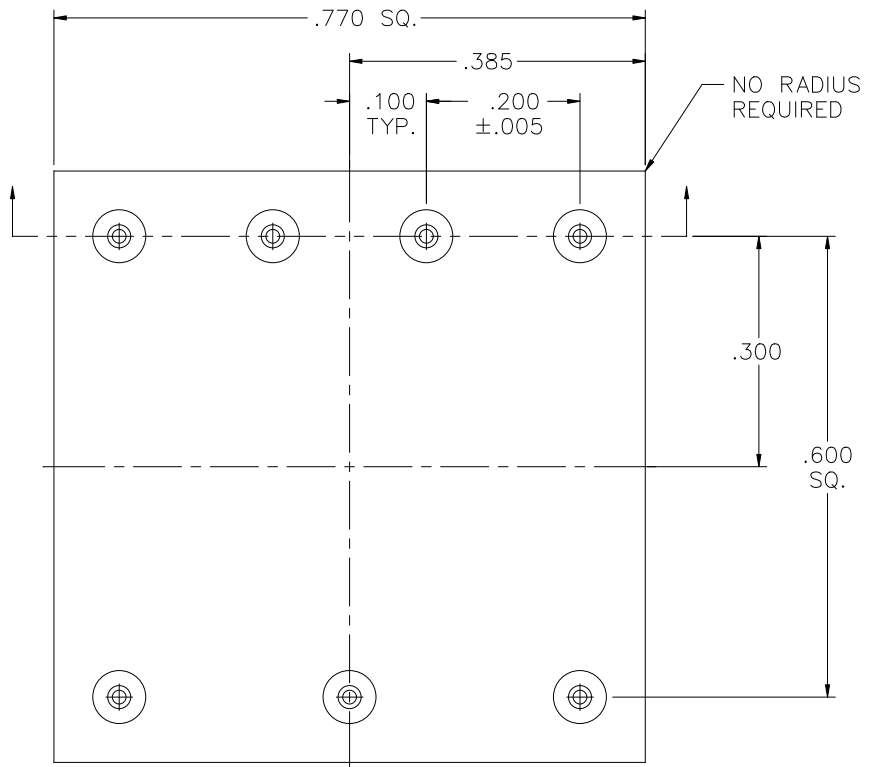


REV	DESCRIPTION OF REVISION	E.C.N.	BY	APPROVED	DATE
C	P/N: WAS HS-DC-770-A P.T./L.T.		E.T.W.		10-19-98
D	CORRECTED EYELET BROKEN EDGE SIDE		E.T.W.		11-18-98



MATERIAL:

EYELET - C-752 NICKEL SILVER
 GLASS - 7052 OR EQUAL.
 LEADS - ASTM F-15 ALLOY, KOVAR.

PLATING:

- SOLDER COAT ON LEADS ONLY PER MIL-STD QQ-S-571-D TIN LEAD ALLOY.

DRAWN BY: TINA MOSS 01-22-98	MATERIAL: SEE ABOVE			TOLERANCING PER ANSI Y14.5 .X ±.005 .XXX ±.005 .XX ±.005 ANG ±5° UNLESS OTHERWISE SPECIFIED		TITLE: .760 SQUARE D.I.P.	
CHECKED BY:	APP. SPECS	SUPERSEDES	NEXT ASSY	SCALE: 4:1	FINISH: UNLESS OTHERWISE SPECIFIED	DRAWING NUMBER: HS-DC-770-A L.T.	
APPROVED BY:						D	
H.E.S. INTERNATIONAL						FILE: WA00020	PAGE 1 OF 1